

# ORP Pen (Oxidation Reduction Potential)

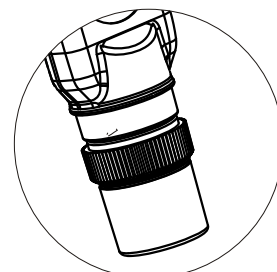


8552

## Big LCD ORP Pen 8552

- ▲ Big LCD with digital ORP value mV display
- ▲ IP65 water proof
- ▲ 20 mins auto power off
- ▲ Simple sleep mode disable operation
- ▲ Data hold function
- ▲ Battery low indicator
- ▲ Cap to keep sensor wet & last life time
- ▲ Pocket pen size in professional shape
- ▲ Operated by 4pcs LR44 batteries
- ▲ Application:

- excellent to use in waste water treatment
- excellent to use in water disinfection process
- excellent to use in laboratory



**NEW DESIGN**  
PROTECTION BOTTLE

High performance design that you never experience on other pen type products !!

**8552**

mV range	-999mV~+999mV
mV accuracy	+/- 4mV
mV resolution	1 mV
LCD size	30(H)x18(W)mm
Operating temp.	0~60°C
Operating RH%	Humidity<80%
Storage temp.	-10~60°C
Storage RH%	Humidity < 90%
Sensor life time	>6 months (with good maintenance)
Dimension	165(L)x35(W)x32(H)mm
Weight	115g
Battery	LR44 x 4pcs
Optional	N/A
Standard Package	Meter/Battery/Manual/Paper box



Waste water treatment

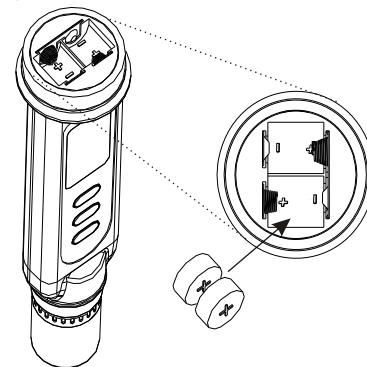


Water disinfection



Laboratory

Install the battery with correct polarity:



Eastern Energy Co., Ltd.  
40/4 Vitoondumri Rd., Banbueng  
Banbueng, Chonburi, Thailand

Tel: 66-3844-6117  
sale@ete.co.th  
www.eastern-energy.com